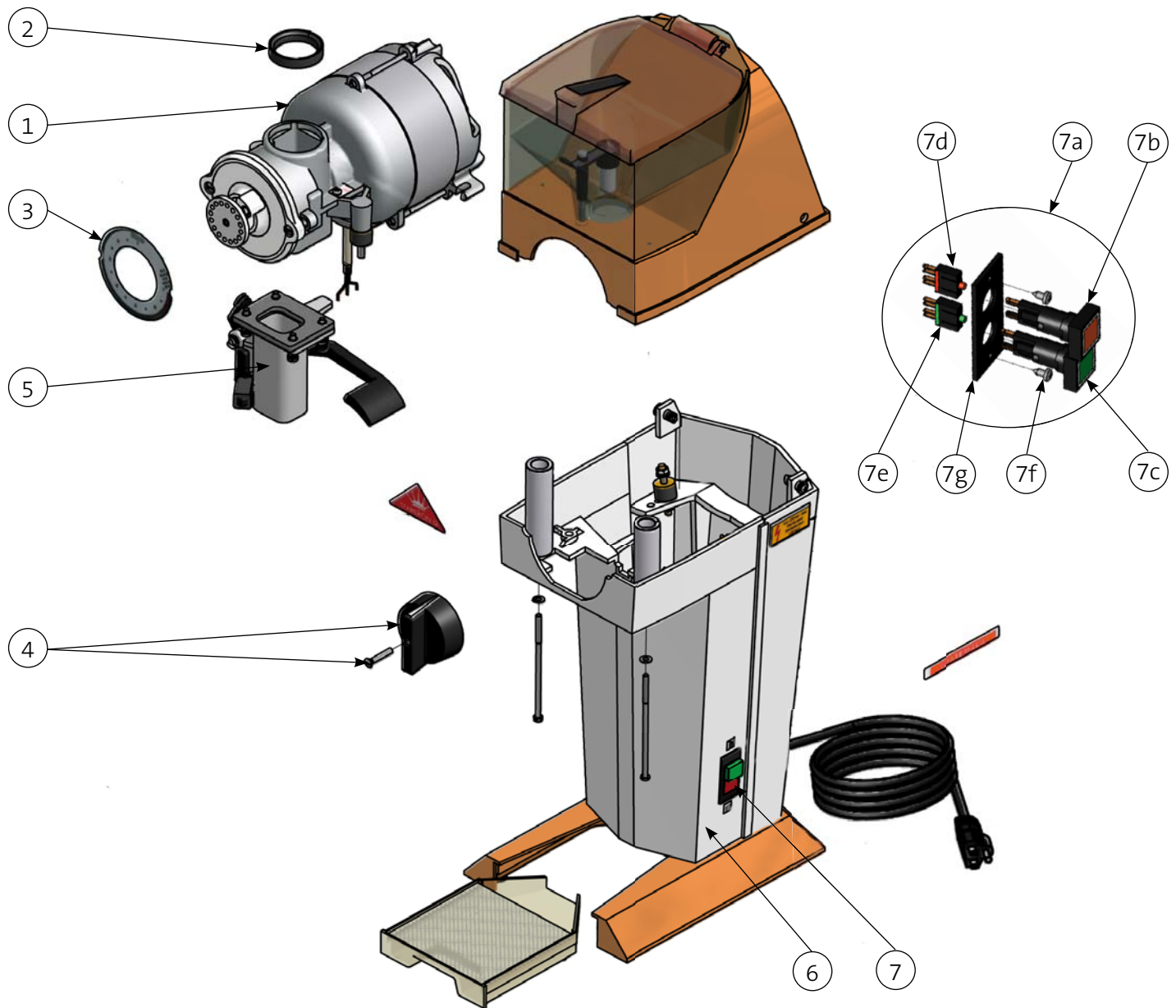


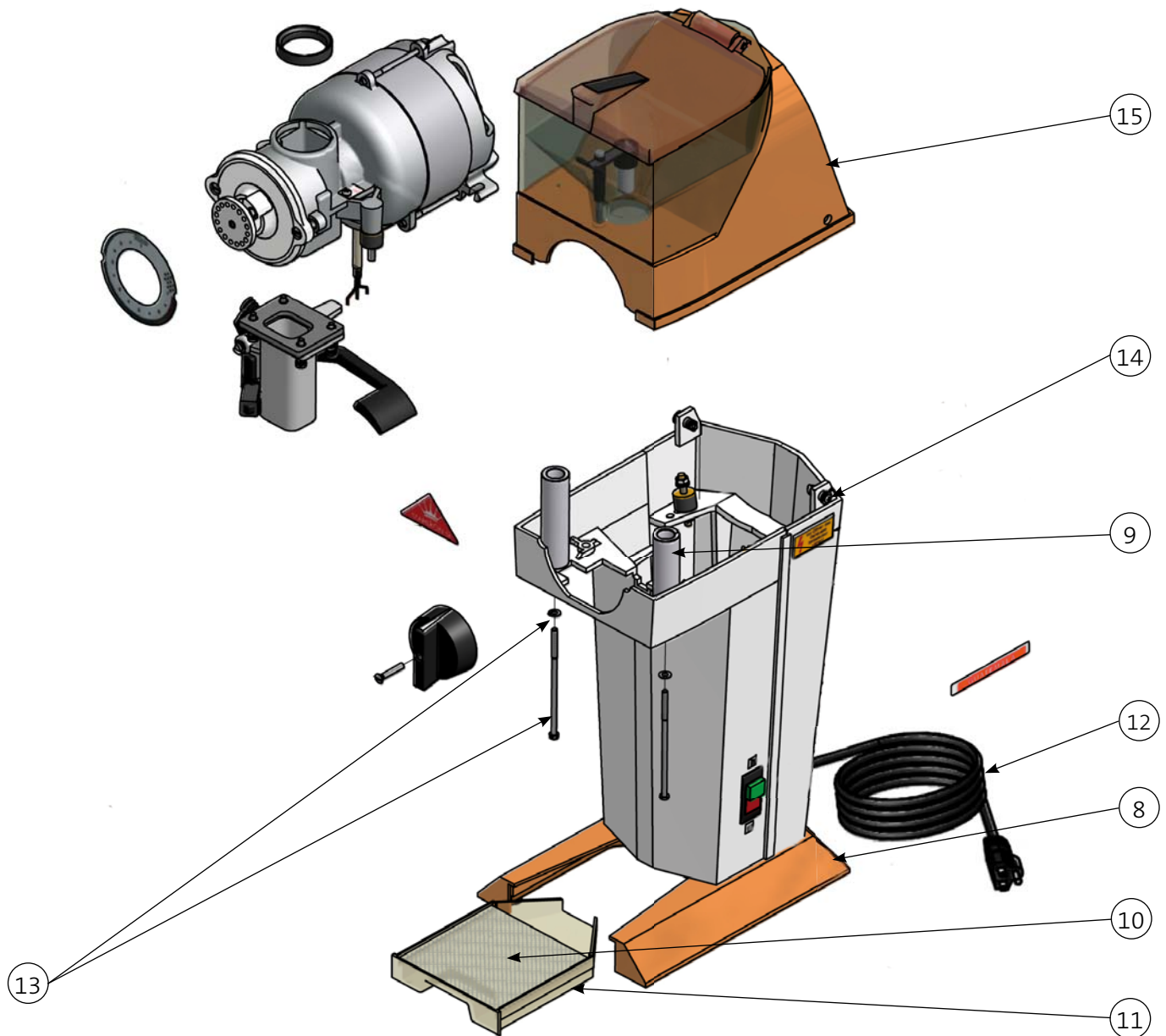
Valid from 01.01.2013
Supersedes all previously issued spare parts lists

Subject to change without prior notice.



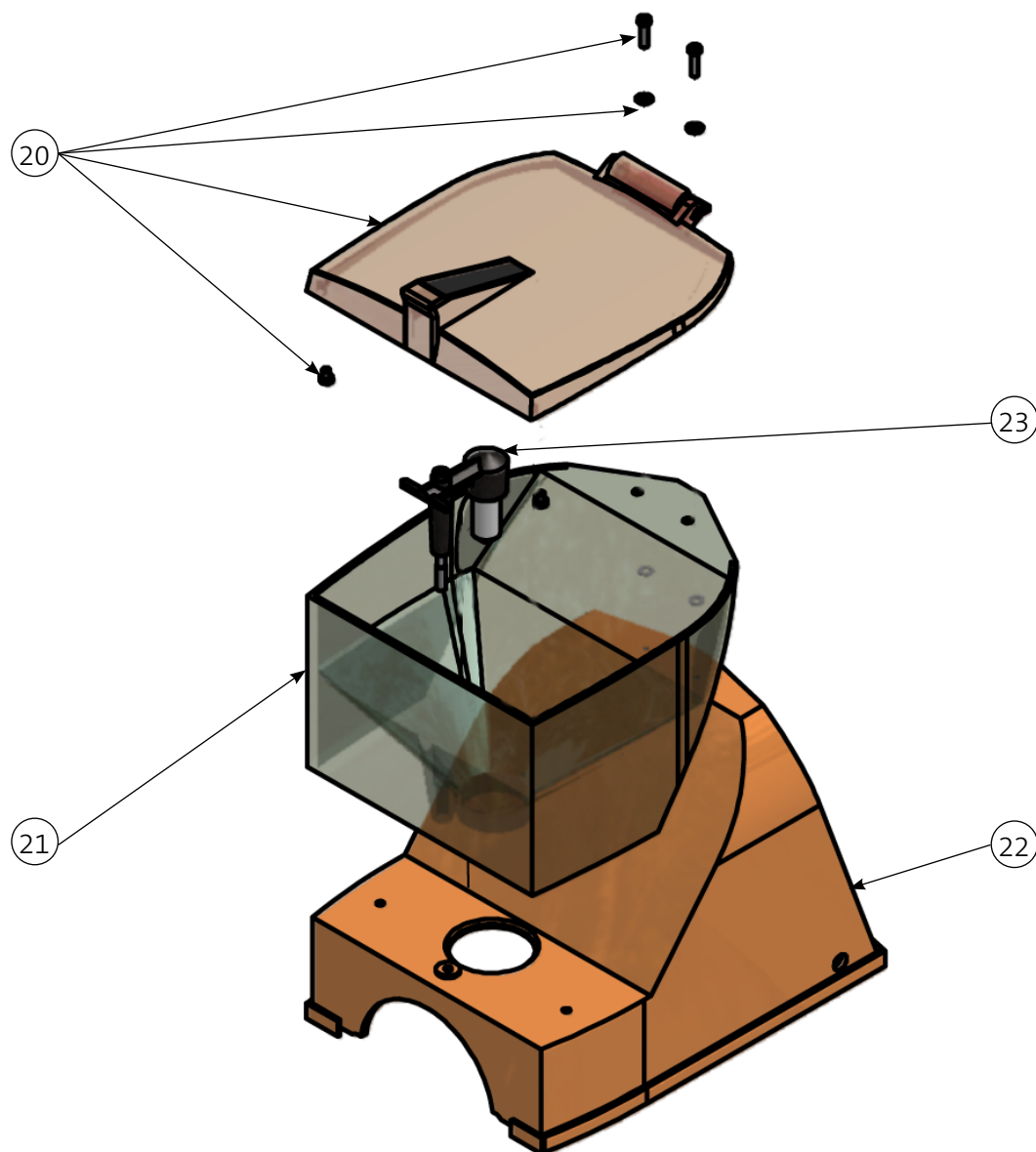
Model: Kenia 100-120V 60Hz NSF

ARTICLE NO.	DRAWING NO.	DESCRIPTION
-	1	Motor (see page 5)
308555	2	Seal ring for hopper (NSF)
301834	3	Scale label - dot screen
309696	4	Adjustment cap K32 service pack
-	5	Spout with flat spring complete
305139	6	Housing lower part K32/K22 for ETA switch, STATE COLOUR
302365	7	ETA-Switch 2-pin 16A 110-115V 60Hz, STATE SERIAL NUMBER
308181	7a	Push button unit, service pack, STATE SERIAL NUMBER
305752	7b	Push button red
305754	7c	Push button green
305755	7d	Contact element red
305756	7e	Contact element green
305571	7f	Fillister head screw DIN7981 C4,2x9,5 H gal Zn
306026	7g	Switch plate for push buttons



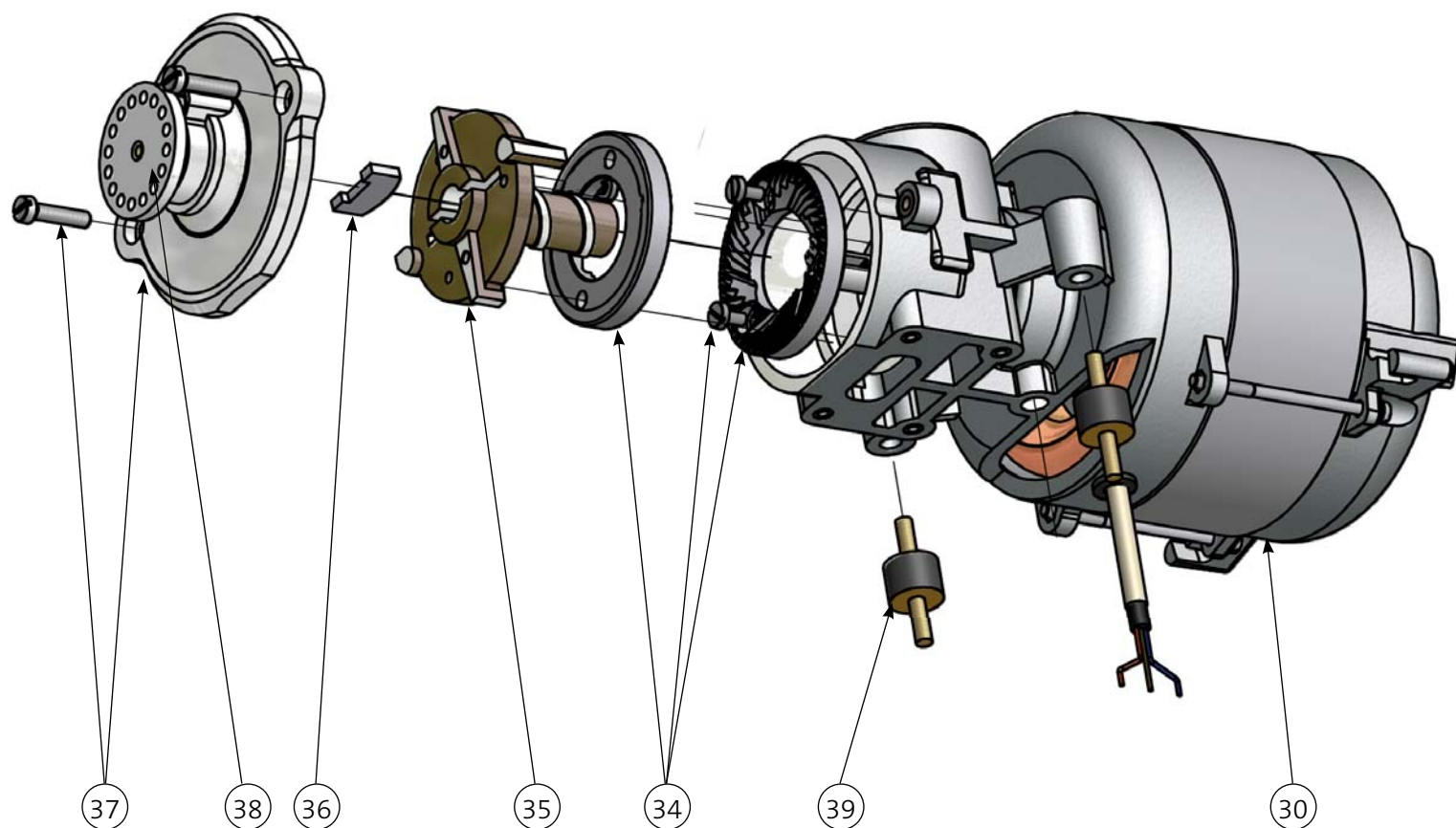
Model: Kenia 100-120V 60Hz NSF

ARTICLE NO.	DRAWING NO.	DESCRIPTION
300399	8	Base plate cover K32, inside coated, STATE COLOUR
305394	9	Distance bush
301054	10	Rib mesh
300481	11	Residue tray Gua/Kenia
300480	(10+11)	Residue tray with rib mesh
302041	12	Power cord with plug, USA
-	(12)	Power cord with different plug on request
309697	13	Mounting of housing upper part, service pack
301215	14	Vibrex screw
309578	15	Housing upper part Gua/Kenia (NSF), complete, STATE COLOUR



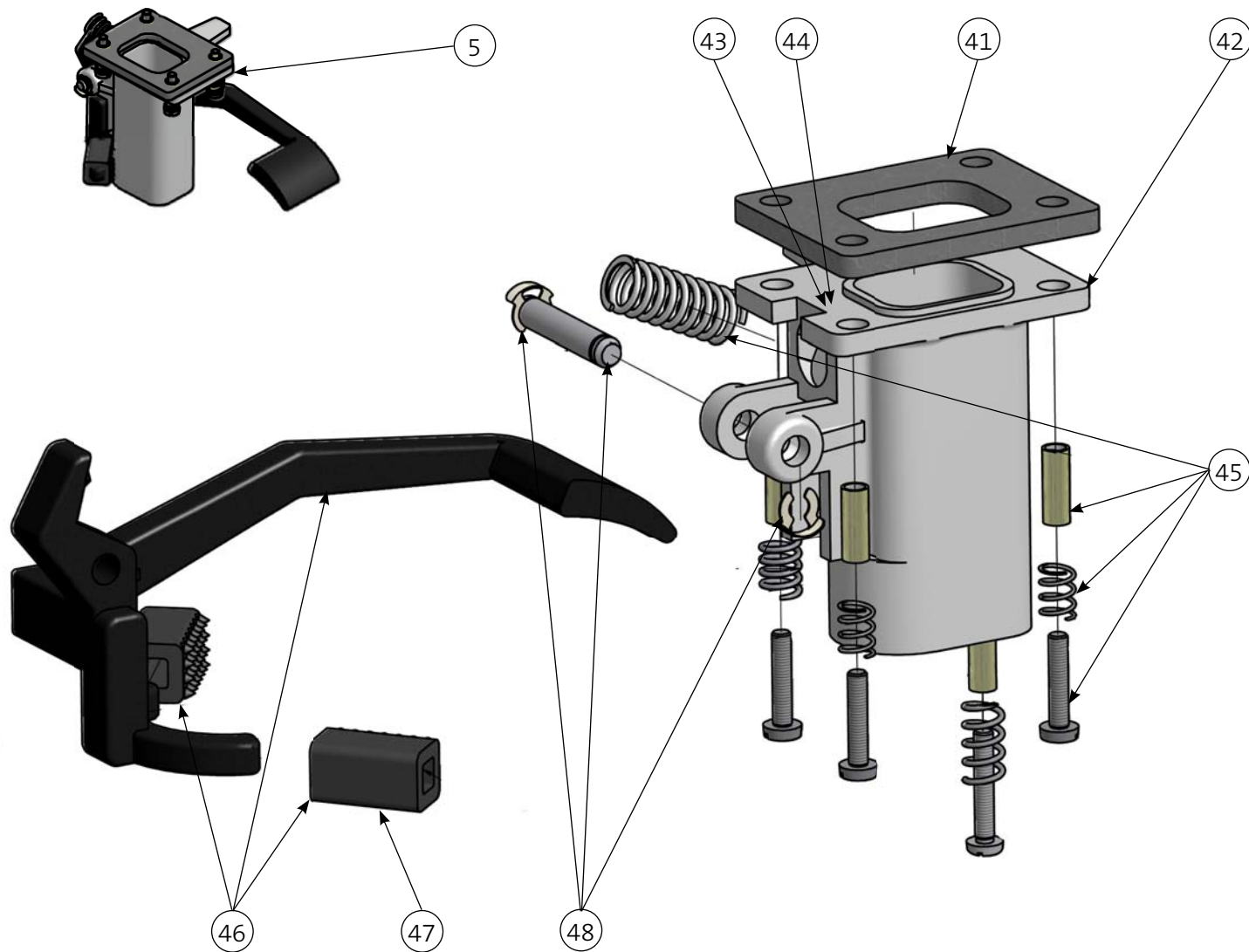
Model: Kenia 100-120V 60Hz NSF

ARTICLE NO.	DRAWING NO.	DESCRIPTION
309698	20	Hinged lid K32 (brown), service pack
310081	-	Hinged lid K32 (transparent, NSF), service pack
300485	21	Hopper K32 (brown)
300248	-	Hopper K32 (transparent, NSF)
300367	22	Top housing K32, inside coated, STATE COLOUR
300334	23	Magnet holder K32 compl.
308554	-	Magnet holder K32 Lexan (NSF), complete
300325	-	Poppy seed sieve (to reduce the poppy seed input, until ser.no.314322)



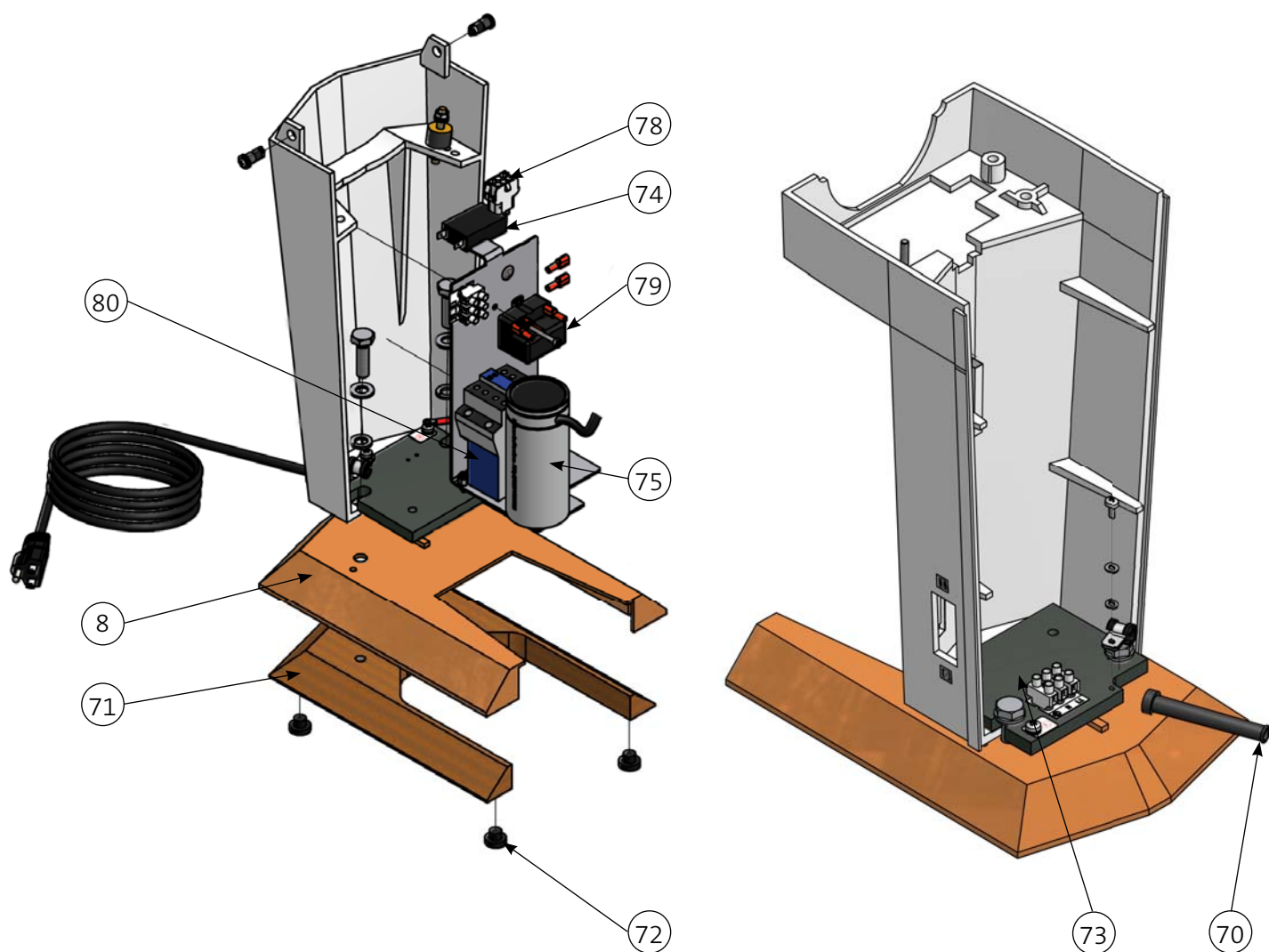
Model: Kenia 100-120V 60Hz NSF

ARTICLE NO.	DRAWING NO.	DESCRIPTION
-	30	Motor on request (with serial number)
308183	34	Grinding discs set K22/K32 glas perl blasted (USA), service pack
303959	34	Grinding disc set Kenia - linseed, service pack
303891	34	Grinding disc set Kenia - poppy seed, service pack
300074	35	Pre-breaker (Kenia+GuaF) coffee
305958	35	Pre-breaker K32S poppy seed
305999	35	Pre-breaker Kenia linseed
303864	36	Shear plate (aluminium)
309397	37	Grinder casing cover K22-K32 compl. with plastic shaft
307265	37	Grind adjustment cover K32 with steel spindle (24 bores)
300304	38	Grind adjustment spindle (plastic)
300975	38	Grind adjustment spindle (steel) for poppy seed grinding
309701	39	Motor suspension K32 Servicepack



Model: Kenia 100-120V 60Hz NSF

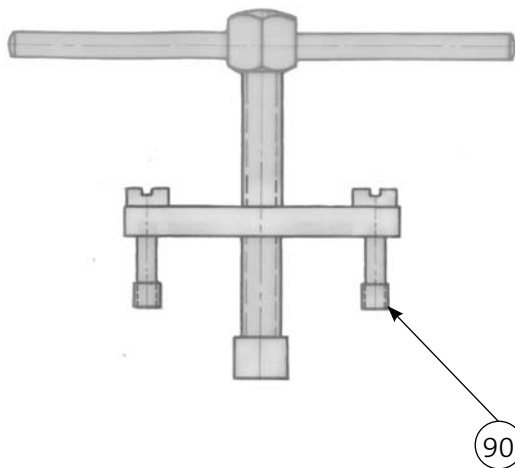
ARTICLE NO.	DRAWING NO.	DESCRIPTION
-	5	Spout with flat spring complete
305485	41	Spout gasket (NSF)
307303	42	Spout K32(S)/10 for flat spring
305669	-	Spout polished (special request only)
301125	43	Flat spring in spout K32(S)/10
305576	44	Flat head screw DIN7380 M5x10 10.9
305979	45	Spout K22/32, small parts set
309704	46	Bag holder handle K32/22, service pack
302725	47	Bag holder rubber
309703	48	Bag holder shaft, service pack



Model: Kenia 100-120V 60Hz NSF

ARTICLE NO.	DRAWING NO.	DESCRIPTION
300399	8	Base plate cover K32, inside coated, STATE COLOUR
302748	70	Rubber funnel
300098	71	Baseplate
302741	72	Rubber buffer, black
302210	74	Current overload protection 10A
302311	(74)	Current overload protection 12A (until serial number 314322)
302357	75	Starting capacitor 730µF
302206	(75)	Starting capacitor 550µF (until serial number 314322)
302508	78	6-pole connector (socket)
309706	79	Starting relay 2CR3-207, service pack
302226	(79)	Start relais Klixon 2CR3-176 (until serial number 314322)

Additional Equipment



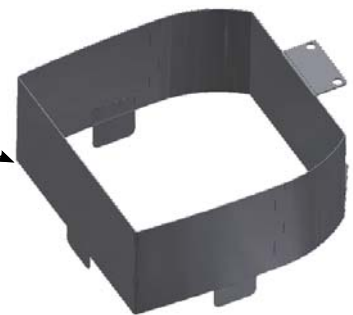
93



92



94



95



Model: Kenia 100-120V 60Hz NSF

ARTICLE NO.	DRAWING NO.	DESCRIPTION
304041	90	Pulling off device for prebreaker
305477	-	Inlet foamed set 2-parts for carton board
303587	-	Cardboard box Gua/Kenia
101855	92	GRINDZ Grinder Cleaner (box with 12 jars of 430 g each)
101856	93	GRINDZ Grinder Cleaner (box with 32 cardboard packs of 3x35g sachets)
308618	94	Hopper extension 1kg/2lbs
308619	-	Hopper extension 1,5kg/3lbs
308620	95	Hopper extension 2,5kg/5lbs
-	-	Base extension (K32) on request